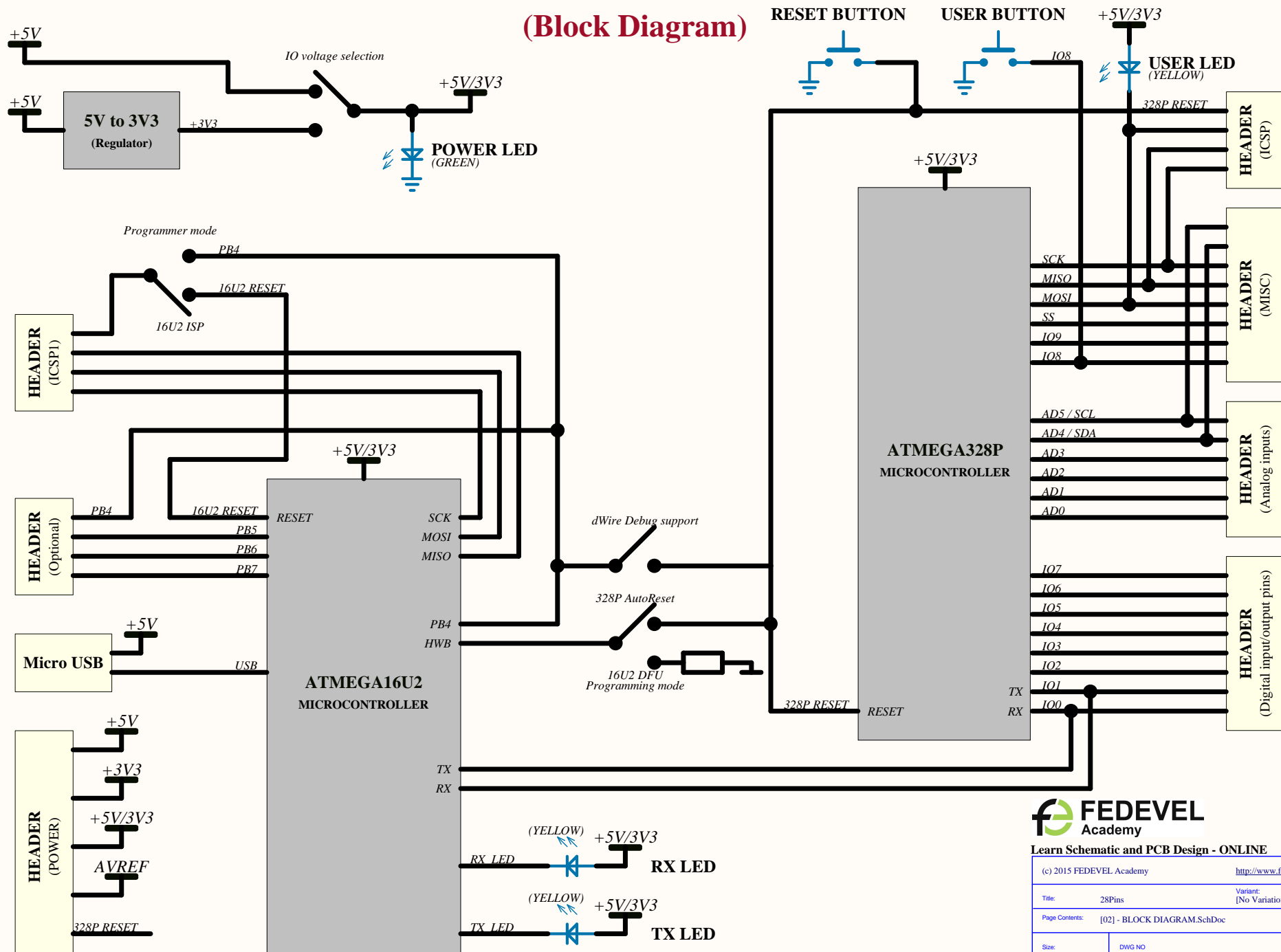


# 28Pins (Block Diagram)



Learn Schematic and PCB Design - ONLINE

(c) 2015 FEDEVEL Academy		<a href="http://www.fedevel.com/academy">http://www.fedevel.com/academy</a>	
Title:	28Pins	Variant:	[No Variations]
Page Contents:	[02] - BLOCK DIAGRAM.SchDoc		
Size:	DWG NO	Revision:	VIII
Date:	4/21/2015	Designed by:	www.fedevel.com
Sheet:	2	Checked by:	